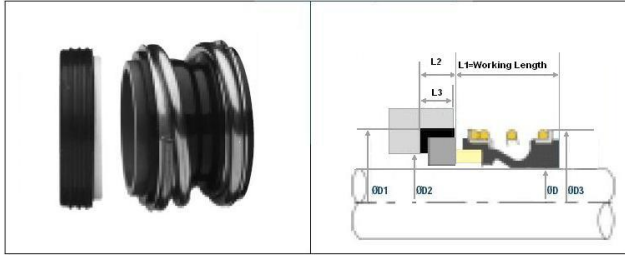


# MECHANICAL SEALS

PRODUCT DATA SHEET

TY1520

## Abbey TY1520



Metric DIN profile seal and a standard seat to suit a common International standard. The seal has the same working length and the same stationary seat as the Abbey TY20 and is suitable for general duties

Abbey Standard sizes METRIC

Shaft Size OD	Size Code	OD1	OD2	OD3	L1	L2	L3
10.00	10MM	24.60	16.00	20.00	25.40	8.74	7.47
12.00	12MM	27.79	19.05	22.00	25.40	8.74	7.47
13.00	13MM	27.79	19.05	22.00	25.40	8.74	7.47
14.00	14MM	30.95	22.23	24.00	25.40	10.32	8.97
15.00	15MM	30.95	22.23	25.00	25.40	10.32	8.97
16.00	16MM	30.95	22.23	26.00	25.40	10.32	8.97
18.00	18MM	34.15	25.40	32.00	25.40	10.32	8.97
19.00	19MM	34.15	25.40	32.00	25.40	10.32	8.97
20.00	20MM	35.70	26.99	34.00	25.40	10.32	8.97
22.00	22MM	37.30	28.58	36.00	25.40	10.32	8.97
24.00	24MM	40.50	31.75	38.00	25.40	10.32	8.97
25.00	25MM	40.50	31.75	39.00	25.40	10.32	8.97
28.00	28MM	47.63	35.72	42.00	33.34	11.99	10.46
30.00	30MM	50.80	38.89	44.00	33.34	11.99	10.46
32.00	32MM	50.80	38.89	46.00	33.34	11.99	10.46
33.00	33MM	53.98	42.07	47.00	33.34	11.99	10.46
34.00	34MM	53.98	42.07	49.00	33.34	11.99	10.46
35.00	35MM	53.98	42.07	49.00	33.34	11.99	10.46
38.00	38MM	57.15	45.24	54.00	33.34	11.99	10.46
40.00	40MM	60.35	48.82	56.00	33.34	11.99	10.46
42.00	42MM	63.50	51.59	59.00	40.48	11.99	10.46
43.00	43MM	63.50	51.59	59.00	40.48	11.99	10.46
44.00	44MM	63.50	51.59	61.00	40.48	11.99	10.46
45.00	45MM	63.50	51.59	61.00	40.48	11.99	10.46
48.00	48MM	66.70	54.75	64.00	40.48	11.99	10.46
50.00	50MM	69.85	58.00	66.00	40.48	13.50	11.96
53.00	53MM	73.05	62.00	69.00	41.00	13.50	11.96
55.00	55MM	76.20	65.00	71.00	41.00	13.50	11.96
58.00	58MM	79.40	68.00	78.00	41.00	13.50	11.96
60.00	60MM	79.40	68.00	80.00	41.00	13.50	11.96
63.00	63MM	82.55	71.20	83.00	41.00	13.50	11.96
65.00	65MM	92.10	78.35	85.00	49.00	15.90	14.50
70.00	70MM	95.25	81.10	90.00	49.00	15.90	14.50
73.00	73MM	98.45	84.50	96.00	49.00	15.90	14.50
75.00	75MM	101.65	88.10	99.00	49.00	15.90	14.50
80.00	80MM	114.30	97.00	104.00	56.00	20.00	18.50
85.00	85MM	117.50	100.00	109.00	56.00	20.00	18.50
90.00	90MM	123.85	107.00	114.00	59.00	20.00	18.50
95.00	95MM	127.00	110.00	119.00	59.00	20.00	18.50
100.00	100MM	133.35	116.00	124.00	62.00	20.00	18.50

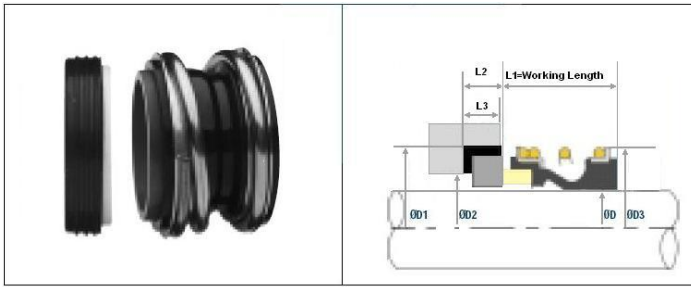
### Standard Face Materials

Rotary: Carbon, Silicon Carbide, Tungsten Carbide  
Stat: Ceramic, Silicon Carbide, Tungsten Carbide

### Maximum Operating Limits

PRESSURE 170 psi      SPEED 15m/s  
TEMPERATURE -40<sup>0</sup> + 200<sup>0</sup> C  
Dependent on shaft dia, Speed, Temp and Media to be sealed

# Abbey TY1520



Imperial DIN profile seal and a standard seat to suit a common International standard. The seal has the same working length and the same stationary seat as the Abbey TY20 and is suitable for general duties

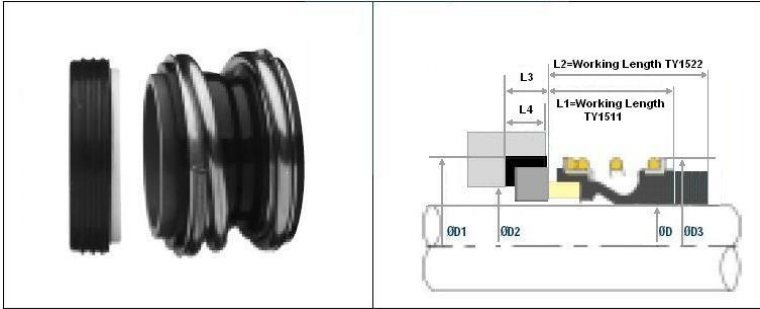
## Abbey Standard sizes IMPERIAL

Shaft Size OD	Size Code	OD1	OD2	OD3	L1	L2	L3
0.375	-037	24.60	16.00	20.00	25.40	8.74	7.47
0.500	-050	27.79	19.05	22.00	25.40	8.74	7.47
0.625	-062	30.95	22.23	26.00	25.40	10.32	8.97
0.750	-075	34.15	25.40	32.00	25.40	10.32	8.97
0.875	-087	37.30	28.58	36.00	25.40	10.32	8.97
1.000	-100	40.50	31.75	39.00	25.40	10.32	8.97
1.125	-112	47.63	35.72	42.00	33.34	11.99	10.46
1.250	-125	50.80	38.89	46.00	33.34	11.99	10.46
1.375	-137	53.98	42.07	49.00	33.34	11.99	10.46
1.500	-150	57.15	45.24	54.00	33.34	11.99	10.46
1.625	-162	60.35	48.82	56.00	33.34	11.99	10.46
1.750	-175	63.50	51.59	61.00	40.48	11.99	10.46
1.875	-187	66.70	54.75	64.00	40.48	11.99	10.46
2.000	-200	69.85	58.00	66.00	40.48	13.50	11.96
2.125	-212	73.05	62.00	69.00	41.00	13.50	11.96
2.250	-225	76.20	65.00	78.00	41.00	13.50	11.96
2.375	-237	79.40	68.00	80.00	41.00	13.50	11.96
2.500	-250	82.55	71.20	83.00	41.00	13.50	11.96
2.625	-262	92.10	78.35	85.00	49.00	15.90	14.50
2.750	-275	95.25	81.10	90.00	49.00	15.90	14.50
2.875	-287	98.45	84.50	96.00	49.00	15.90	14.50
3.000	-300	101.65	88.10	99.00	49.00	15.90	14.50
3.125	-312	111.15	93.68	104.00	56.00	20.00	18.50
3.250	-325	114.30	96.85	104.00	56.00	20.00	18.50
3.375	-337	117.50	100.00	109.00	56.00	20.00	18.50
3.500	-350	120.65	103.18	114.00	56.00	20.00	18.50
3.625	-362	123.85	106.35	114.00	59.00	20.00	18.50
3.750	-375	127.00	109.52	119.00	59.00	20.00	18.50
3.875	-387	130.20	112.65	122.00	62.00	20.00	18.50
4.000	-400	133.35	115.88	124.00	62.00	20.00	18.50

Standard Face Materials  
**Rotary: Carbon, Silicon Carbide, Tungsten Carbide**  
**Stat: Ceramic, Silicon Carbide, Tungsten Carbide**

**Maximum Operating Limits**  
**PRESSURE 170 psi** **SPEED 15m/s**  
**TEMPERATURE -40<sup>0</sup> + 200<sup>0</sup> C**  
 Dependent on shaft dia, speed, Temp and Media to be sealed

# Abbey TY1511/TY1522



DIN profile seal and a standard seat with a choice of working lengths to suit common American Standards. Seal has the same seat as TY11 or TY22 and is suitable for general duties.

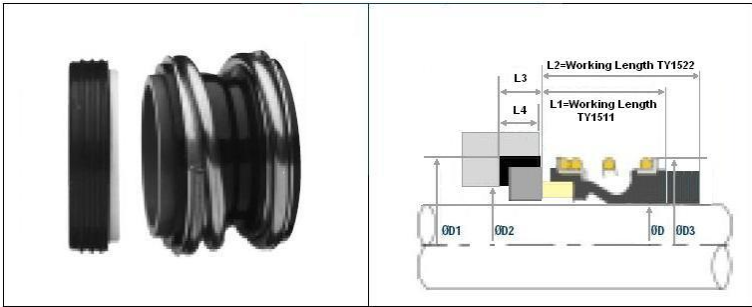
Abbey Standard sizes METRIC

Shaft Size OD	Size Code	OD1	OD2	OD3	L1	L2	L3	L4
12.00	12MM	25.40	19.05	22.00	20.62	31.75	7.93	6.35
14.00	14MM	31.75	23.80	24.00	22.22	34.93	10.28	8.71
16.00	16MM	31.75	23.80	26.00	22.22	34.93	10.28	8.71
18.00	18MM	34.93	26.98	32.00	22.22	34.93	10.28	8.71
20.00	20MM	38.10	30.15	34.00	23.80	36.50	10.28	8.71
22.00	22MM	38.10	30.15	36.00	23.80	36.50	10.28	9.53
24.00	24MM	41.28	33.32	38.00	25.40	41.28	11.10	9.53
25.00	25MM	41.28	33.32	39.00	25.40	41.28	11.10	9.53
28.00	28MM	44.44	36.50	42.00	26.97	42.85	11.10	9.53
30.00	30MM	47.63	37.90	44.00	26.97	42.85	11.10	9.53
32.00	32MM	47.63	37.90	46.00	26.97	42.85	11.10	9.53
33.00	33MM	50.80	42.84	47.00	28.58	42.85	11.10	9.53
35.00	35MM	50.80	42.84	49.00	28.58	42.85	11.10	9.53
38.00	38MM	53.98	46.05	54.00	28.58	42.85	11.10	9.53
40.00	40MM	60.33	50.80	56.00	34.93	50.80	12.70	11.10
43.00	43MM	63.50	53.97	59.00	34.93	50.80	12.70	11.10
44.00	44MM	63.50	53.97	61.00	34.93	50.80	12.70	11.10
45.00	45MM	66.68	57.15	61.00	38.10	53.98	12.70	11.10
48.00	48MM	69.85	60.32	64.00	38.10	53.98	12.70	11.10
50.00	50MM	69.85	60.32	66.00	38.10	53.98	12.70	11.10
53.00	53MM	76.20	60.32	69.00	42.88	60.32	14.28	12.70
55.00	55MM	79.38	61.90	78.00	42.88	60.32	14.28	12.70
58.00	58MM	82.55	67.39	78.00	46.02	63.50	14.28	12.70
60.00	60MM	82.55	67.39	80.00	46.02	63.50	14.28	12.70
63.00	63MM	85.73	68.25	83.00	46.02	63.50	14.28	12.70
65.00	65MM	85.73	71.24	85.00	49.20	69.85	15.90	14.50
68.00	68MM	88.90	74.60	88.00	49.20	69.85	15.90	14.50
70.00	70MM	88.90	74.60	90.00	49.20	69.85	15.90	14.50
73.00	73MM	95.25	77.77	96.00	52.37	73.03	15.90	14.50
75.00	75MM	98.43	80.95	99.00	52.37	73.03	15.90	14.50

Standard Face Materials  
**Rotary: Carbon, Silicon Carbide, Tungsten Carbide**  
**Stat: Ceramic, Silicon Carbide, Tungsten Carbide**

**Maximum Operating Limits**  
**PRESSURE 170 psi** **SPEED 15m/s**  
**TEMPERATURE -40<sup>0</sup> + 200<sup>0</sup> C**  
 Dependent on shaft dia, Speed, Temp and Media to be sealed

# Abbey TY1511/TY1522



DIN profile seal and a standard seat with a choice of working lengths to suit common American Standards. Seal has the same seat as TY11 or TY22 and is suitable for general duties.

## Abbey Standard sizes IMPERIAL

Shaft Size OD	Size Code	OD1	OD2	OD3	L1	L2	L3	L4
0.500	-050	25.40	19.05	22.00	20.62	31.75	7.93	6.35
0.625	-062	31.75	23.80	26.00	22.22	34.93	10.28	8.71
0.750	-075	34.93	26.98	32.00	22.22	34.93	10.28	8.71
0.875	-087	38.10	30.15	36.00	23.80	36.50	10.28	8.71
1.000	-100	41.28	33.32	39.00	25.40	41.28	10.28	8.71
1.125	-112	44.44	36.50	42.00	26.97	42.85	11.10	9.53
1.250	-125	47.63	37.90	46.00	26.97	42.85	11.10	9.53
1.375	-137	50.80	42.84	49.00	28.58	42.85	11.10	9.53
1.500	-150	53.98	46.05	54.00	28.58	42.85	11.10	9.53
1.625	-162	60.33	50.80	56.00	34.93	50.80	12.70	11.10
1.750	-175	63.50	53.97	61.00	34.93	50.80	12.70	11.10
1.875	-187	66.68	57.15	61.00	38.10	53.98	12.70	11.10
2.000	-200	69.85	60.32	66.00	38.10	53.98	12.70	11.10
2.125	-212	76.20	60.32	69.00	42.88	60.32	14.28	12.70
2.250	-225	79.38	61.90	78.00	42.88	60.32	14.28	12.70
2.375	-237	82.55	67.39	80.00	46.02	63.50	14.28	12.70
2.500	-250	85.73	68.25	83.00	46.02	63.50	14.28	12.70
2.625	-262	85.73	71.24	85.00	49.20	69.85	15.90	14.50
2.750	-275	88.90	74.60	90.00	49.20	69.85	15.90	14.50
2.875	-287	95.25	77.77	96.00	52.37	73.03	15.90	14.50
3.000	-300	98.43	80.95	99.00	52.37	73.03	15.90	14.50

Standard Face Materials  
**Rotary:** Carbon, Silicon Carbide, Tungsten Carbide  
**Stat:** Ceramic, Silicon Carbide, Tungsten Carbide

**Maximum Operating Limits**  
**PRESSURE 170 psi** **SPEED 15m/s**  
**TEMPERATURE -40<sup>0</sup> + 200<sup>0</sup> C**  
 Dependent on shaft dia, speed, Temp and Media to be sealed