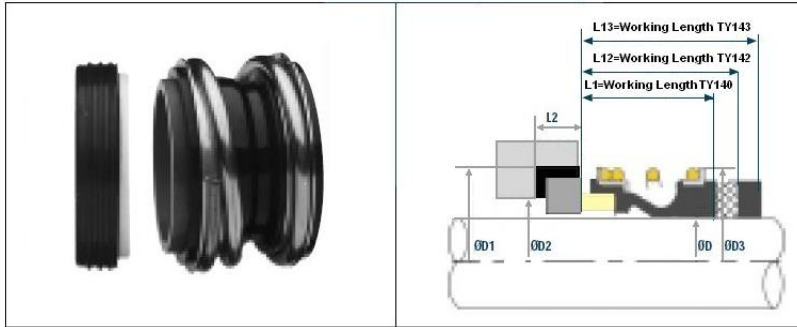


MECHANICAL SEALS

PRODUCT DATA SHEET

TY140

Abbey TY140/TY142/TY143



Universal compact DIN seal with a choice of standard DIN working lengths. The robust heavy duty bellows design provides excellent flexibility and durability. Boot seat supplied as standard Also supplied with 8Din O ring seat see TY140DS

Abbey Standard sizes

Shaft Size OD	Size Code	OD1	OD2	OD3	L1	L12	L13	L2
10.00	10MM	21.00	17.00	20.00	13.40	25.90	33.40	6.60
12.00	12MM	23.00	19.00	22.00	14.40	25.90	33.40	6.60
14.00	14MM	25.00	21.00	24.00	14.40	28.40	33.40	6.60
15.00	15MM	27.00	23.00	25.00	14.40	28.40	33.40	6.60
16.00	16MM	27.00	23.00	26.00	14.40	28.40	33.40	6.60
18.00	18MM	33.00	27.00	32.00	18.50	30.00	37.50	7.50
20.00	20MM	35.00	29.00	34.00	18.50	30.00	37.50	7.50
22.00	22MM	37.00	31.00	36.00	18.50	30.00	37.50	7.50
24.00	24MM	39.00	33.00	38.00	18.50	32.50	42.50	7.50
25.00	25MM	40.00	34.00	39.00	18.50	32.50	42.50	7.50
28.00	28MM	43.00	37.00	42.00	24.50	35.00	42.50	7.50
30.00	30MM	45.00	39.00	44.00	25.50	35.00	42.50	7.50
32.00	32MM	48.00	42.00	46.00	25.50	35.00	42.50	7.50
33.00	33MM	48.00	42.00	47.00	25.50	35.00	47.50	7.50
35.00	35MM	50.00	44.00	49.00	26.50	35.00	47.50	7.50
38.00	38MM	56.00	49.00	54.00	29.00	36.00	46.00	7.50
40.00	40MM	58.00	51.00	56.00	29.00	36.00	46.00	9.00
43.00	43MM	61.00	54.00	59.00	29.00	36.00	51.00	9.00
45.00	45MM	63.00	56.00	61.00	29.00	36.00	51.00	9.00
48.00	48MM	66.00	59.00	64.00	31.00	36.00	51.00	9.00
50.00	50MM	70.00	62.00	66.00	30.50	38.00	50.50	9.50
53.00	53MM	73.00	65.00	69.00	29.00	36.50	59.00	11.00
55.00	55MM	75.00	67.00	71.00	29.00	36.50	59.00	11.00
58.00	58MM	78.00	70.00	78.00	32.00	41.50	59.00	11.00
60.00	60MM	80.00	72.00	80.00	34.00	41.50	59.00	11.00
65.00	65MM	85.00	77.00	85.00	34.00	41.50	69.00	11.00
68.00	68MM	90.00	81.00	88.00	33.70	41.20	68.70	11.30
70.00	70MM	92.00	83.00	90.00	33.70	48.70	68.70	11.30
75.00	75MM	97.00	88.00	99.00	40.70	48.70	68.70	11.30
80.00	80MM	105.00	95.00	104.00	40.50	48.00	78.00	11.30
85.00	85MM	110.00	100.00	109.00	38.50	46.00	76.00	14.00
90.00	90MM	115.00	105.00	114.00	38.50	51.00	76.00	14.00
95.00	95MM	120.00	110.00	119.00	38.50	51.00	76.00	14.00
100.00	100MM	125.00	115.00	124.00	38.50	51.00	76.00	14.00

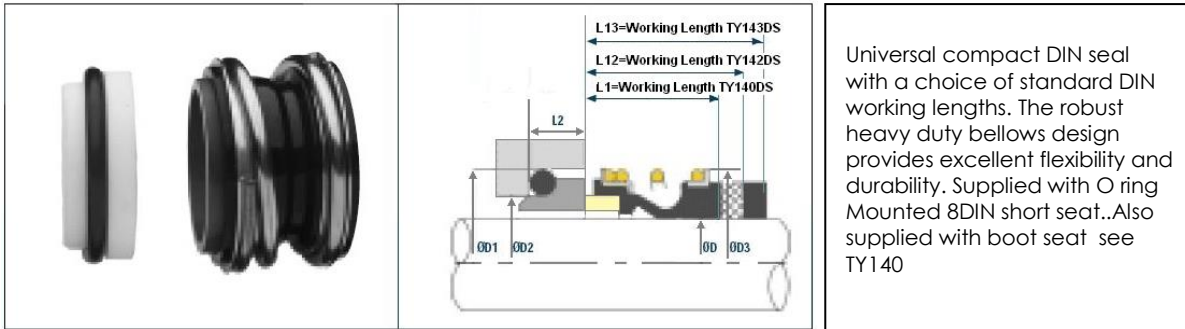
Standard Face Materials

Rotary: Carbon, Silicon Carbide, Tungsten Carbide
Stat: Ceramic, Silicon Carbide, Tungsten Carbide

Maximum Operating Limits

PRESSURE 170 psi **SPEED 15m/s**
TEMPERATURE -40° + 200° C
 Dependent on shaft dia, Speed, Temp and Media to be sealed

Abbey TY140S/TY142S/TY143S



Abbey Standard sizes

Shaft Size	Size	OD1	OD2	OD3	L1	L12	L13	L2
10.00	10MM	21.00	16.40	20.00	13.40	25.90	33.40	6.60
12.00	12MM	23.00	18.40	22.00	14.40	25.90	33.40	6.60
14.00	14MM	25.00	20.40	24.00	14.40	28.40	33.40	6.60
15.00	15MM	27.00	22.40	25.00	14.40	28.40	33.40	6.60
16.00	16MM	27.00	22.40	26.00	14.40	28.40	33.40	6.60
18.00	18MM	33.00	26.60	32.00	18.50	30.00	37.50	7.50
20.00	20MM	35.00	28.60	34.00	18.50	30.00	37.50	7.50
22.00	22MM	37.00	30.60	36.00	18.50	30.00	37.50	7.50
24.00	24MM	39.00	32.60	38.00	18.50	32.50	42.50	7.50
25.00	25MM	40.00	33.60	39.00	18.50	32.50	42.50	7.50
28.00	28MM	43.00	36.60	42.00	24.50	35.00	42.50	7.50
30.00	30MM	45.00	38.60	44.00	25.50	35.00	42.50	7.50
32.00	32MM	48.00	41.60	46.00	25.50	35.00	42.50	7.50
33.00	33MM	48.00	41.60	47.00	25.50	35.00	47.50	7.50
35.00	35MM	50.00	43.80	49.00	26.50	35.00	47.50	7.50
38.00	38MM	56.00	48.80	54.00	29.00	36.00	46.00	9.00
40.00	40MM	58.00	50.80	56.00	29.00	36.00	46.00	9.00
43.00	43MM	61.00	53.80	59.00	29.00	36.00	51.00	9.00
45.00	45MM	63.00	55.80	61.00	29.00	36.00	51.00	9.00
48.00	48MM	66.00	58.80	64.00	31.00	36.00	51.00	9.00
50.00	50MM	70.00	61.25	66.00	30.50	38.00	50.50	9.50
53.00	53MM	73.00	64.25	69.00	29.00	36.50	59.00	11.00
55.00	55MM	75.00	66.25	71.00	29.00	36.50	59.00	11.00
58.00	58MM	78.00	69.25	78.00	32.00	41.50	59.00	11.00
60.00	60MM	80.00	71.25	80.00	34.00	41.50	59.00	11.00
65.00	65MM	85.00	76.25	85.00	34.00	41.50	69.00	11.00
68.00	68MM	90.00	80.50	88.00	33.70	41.20	68.70	11.30
70.00	70MM	92.00	82.60	90.00	33.70	48.70	68.70	11.30
75.00	75MM	97.00	87.60	99.00	40.70	48.70	68.70	11.30
80.00	80MM	105.00	94.70	104.00	40.50	48.00	78.00	12.00
85.00	85MM	110.00	99.70	109.00	38.50	46.00	76.00	14.00
90.00	90MM	115.00	104.70	114.00	38.50	51.00	76.00	14.00
95.00	95MM	120.00	109.70	119.00	38.50	51.00	76.00	14.00
100.00	100MM	125.00	114.70	124.00	38.50	51.00	76.00	14.00

Standard Face Materials

Rotary: Carbon, Silicon Carbide, Tungsten Carbide
Stat: Ceramic, Silicon Carbide, Tungsten Carbide

Maximum Operating Limits

PRESSURE 170 psi **SPEED 15m/s**
TEMPERATURE -40⁰ + 200⁰ C
 Dependent on shaft dia, speed, Temp and Media to be sealed