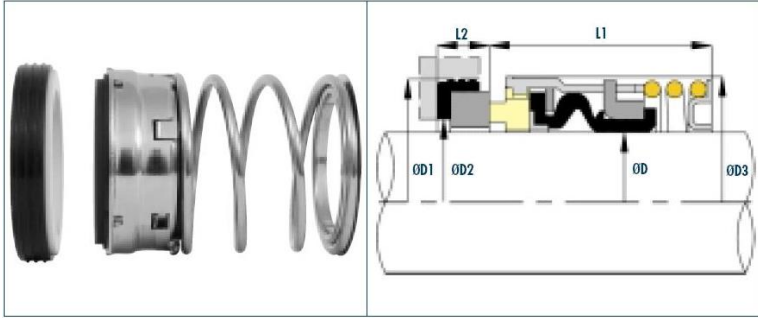


Abbey TYA5



Robust, Long working length highly accommodating and reliable rubber diaphragm balanced seal which provides enhanced seal capability, performance and life. Improved design features further enhance this popular seal. Suitable for common US standard housing and working lengths dimensions.

Abbey Standard sizes

Shaft Size OD	Size Code	Shaft Size OD	Size Code	OD1	OD2	OD3	L1	L2
0.500	-050	12.00	12MM	25.40	19.05	23.80	30.16	7.93
		14.00	14MM	31.75	23.80	27.76	33.32	10.28
0.625	-062	16.00	16MM	31.75	23.80	27.76	33.32	10.28
0.750	-075	18.00	18MM	34.93	26.98	30.94	33.32	10.28
		20.00	20MM	38.10	30.15	34.11	34.93	10.28
0.875	-087	22.00	22MM	38.10	30.15	34.11	34.93	10.28
		24.00	24MM	41.28	33.32	38.10	39.67	11.10
1.000	-100	25.00	25MM	41.28	33.32	38.10	39.67	11.10
1.125	-112	28.00	28MM	44.44	36.50	41.28	41.28	11.10
		30.00	30MM	47.63	37.90	46.02	41.28	11.10
1.250	-125	32.00	32MM	47.63	37.90	46.02	41.28	11.10
		33.00	33MM	50.80	42.84	48.68	42.85	11.10
1.375	-137	35.00	35MM	50.80	42.84	48.68	42.85	11.10
1.500	-150	38.00	38MM	53.98	46.05	51.85	42.85	11.10
1.625	-162	40.00	40MM	60.38	50.80	58.10	50.80	12.70
		43.00	43MM	63.50	53.97	61.27	50.80	12.70
1.750	-175	45.00	45MM	63.50	53.97	61.27	50.80	12.70
1.875	-187			66.68	57.15	64.44	53.98	12.70
		48.00	48MM	69.85	57.15	67.21	53.98	12.70
2.000	-200	50.00	50MM	69.85	60.32	67.21	53.98	12.70
2.125	-212	53.00	53MM	76.20	60.32	72.02	60.33	14.28
2.250	-250	55.00	55MM	79.38	61.90	75.30	60.33	14.28
2.375	-237	60.00	60MM	82.55	67.39	78.30	63.50	14.28
2.500	-250	63.00	63MM	85.73	68.25	81.54	63.50	14.28
2.625	-262	65.00	65MM	85.73	71.24	86.22	69.85	15.90
2.750	-275	70.00	70MM	88.90	74.60	89.40	73.03	15.90
2.875	-287	73.00	73MM	95.25	77.77	92.57	73.03	15.90
3.000	-300	75.00	75MM	98.43	80.95	95.75	73.03	15.90

Standard Face Materials
 Rotary: Carbon, Silicon Carbide, Tungsten Carbide
 Stat: Ceram Silicon Carbide, Tungsten Carbide
 Other Face Materials to order

Maximum Operating Limits
 PRESSURE 220psi SPEED 8m/s
 TEMPERATURE 40 + 200
 Depend on shaft dia, speed, Temp and media to be sealed